

iXRS-iDR™

Innovative Direct Radiography

CRYSTAL IP™
CRYSTAL CLEAR IMAGES

✓ HIGHER RESOLUTION
✓ LOWER DOSE

Fully automatic motorized movement

Ergonomic and convenient handling

Automatic move to pre-defined positions for the most frequent applications

Safety features protect against collision with patient and obstacles

Supports forced air cooling for tube assembly and manual tube rotation



100 | Microns

112 | Images Per/Hr

16 | Bit

Introducing the **iXRS-iDR** System is a fully automatic digital radiographic system providing state-of-the-art image quality, image processing and user interface; making the system easy to use and reliable while providing high quality digital radiographic images with reduced dose. The **iXRS-iDR** comes complete with a radiographic stand that has four motorized joints, and automatic positioning can be accomplished by pre-programmed data which

can be easily reprogrammed by operator. Total of seven safety sensors are located over U-arm, detector and tube side to protect against collision with patient or obstacles to control the speed or stop the positioning. The **iXRS-iDR** System has been specially developed for moderate budgets and small spaces. A fully digital workflow, convenient auto-positioning, and advanced image processing, make this versatile system a sensible choice.

IDR | 17

Image Capture Review

IMAGE

IDR | PROVEN DR READER

iDR is a scalable design that allows for the highest efficiency **Crystal IP** phosphor screens, 16 Bit available gray scale, and upgradable features that provide users with up to 5 lp/mm maximum resolution.

CAPTURE

XC | ACQUISITION

XC touchscreen acquisition with ICE-3 Enhancement Processing provides all-new features including, "Image Display State" to ensure balanced presentation of both soft tissue, overlapping bone structures, and automatic analysis of image characteristics to optimize processing.

REVIEW

CLARITY PACS

Our fully web-enabled and integrated PACS solutions help transition your practice into a safe, secure, and filmless environment. Clarity PACS™ supports all your current and future imaging needs.



| Image Capture Review

icrco.com

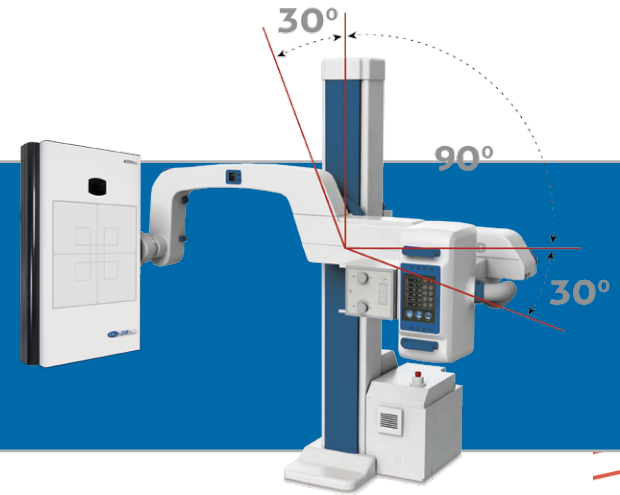
iXRS-iDR™

Innovative Direct Radiography



MOBILE PATIENT TABLE

- ✓ Mobile table designed for conventional radiography applications
- ✓ Motorized collimator with dual leaf
- ✓ Automatic x-ray field size control corresponds to varying SID
- ✓ User adjustable lamp timer with on/off switch (supports software control)



The core part of the x-ray source adopts high quality tube assembly (VARIAN, SIEMENS, TOSHIBA), motorized x-ray collimator, HV cable assembly and iCRco's high frequency x-ray generator which has a worldwide reputation on excellent performance, lifetime and stability. Touch screen x-ray control console provides user-friendly interface and easy technique selection. Automatic collimator supports high accuracy for selected x-ray field size over any SID.

iDR 17 Detector Specifications*

Micron Spot Size	Pixels Per mm	Dots Per Inch (DPI)	Line Pairs Per mm
200	5	127	2.5
155	7.5	163	3.7
100	10	254	5

THE IDR CAPTURES AT 15 MEGAPIXELS

Grayscale Resolution	16 bits/pixel source file, 65536 Shades of Gray
Image Display	17 seconds
Configuration	Can be Wall Mounted, Bolted on a U-arm or Placed Inside a Table
Weight	50 lbs
Dimensions	iDR 17: W22.5" x D6.32" x H35.75" iDR 14: W19.5" x D6.32" x H35.75"
Power Source	100-240V AC/ 2.5A max; 47-63Hz (Universal Power Supply) 24V option available
iSupply	24V portable DC power supply available, 270 scans on single charge
Heat Generation	Standby 230W, Maximum 1610W
Operating Conditions	Temperature; 0-40°C/32-105°F, Temperature change: 0.5°C/min, Humidity: 15%-95% RH, Magnetic Fields: max 1260 µT (in Conformance with EN 61000-4-8: Level 3), 10 A/m

XC - Intuitive touchscreen acquisition

ICE-3 Processing - Automated image characteristics analysis for maximum image enhancement

Image Display State: Automated enhancement of image display at the point of acquisition

Smart search, sort, and filter options

Integration with front office management systems like RIS and EMR

Full set of annotation and measurement tools

User-preferred settings and privileges

Power Rating	iXR-5 (Standard)	iXR-6	iXR-8
Power Rating	52kW	68kW	82kW
Line Nominal, Phase	400/480VAC, 3Φ		
Line Voltage Range	±10% (Frequency: 50/60Hz)		
kV Range	40~150kV, 1kV step Specification – Automatic Radiographic Stand		
mA Range	10 to 640mA	10 to 800mA	10 to 1,000mA
Timer Range	0.001 to 10 sec, 38 steps		
mAs Range	0.1 to 500mAs (Optional higher mAs)		
Max. Power Output	640mA@81kV 500mA@104kV 400mA@130kV 320mA@150kV	800mA@85kV 640mA@106kV 500mA@136kV 400mA@150kV	1000mA@82kV 800mA@102kV 640mA@128kV 500mA@150kV
Rotor Speed	Low Speed (option: DC Brake, Dual Speed for 3Φ)	Dual Speed	Dual Speed



Components are made from 98% recyclable parts • iCRco is an ISO 13485 certified company • U.S. and international patents granted • Additional patents pending
FDA 510 (K) Cleared • Medical CE mark 0086

© 2015 iCRco. All rights reserved. "iXRS-iDR" and "XC" are registered trademarks of iCRco. BR0011615AUS *Design & Specifications are subject to change without notice.



iCRco, INC. | 26 COROMAR DRIVE, GOLETA CA, 93117 | TEL: 310.921.9559 | FAX: 805.685.1308 | INFO@ICRCOMPANY.COM | ICRCO.COM